

POTTERS ARE LEADING SUPPLIERS OF POULTRY EQUIPMENT

NESTS & SLATS



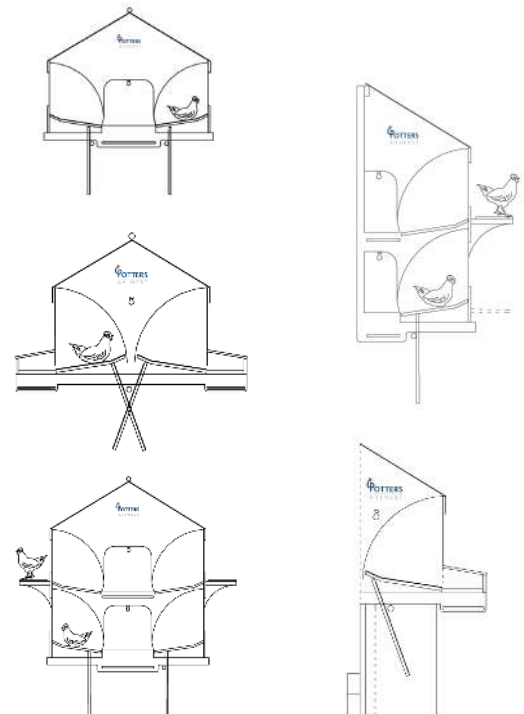
WE CAN PROVIDE YOU WITH THE
BEST STRUCTURES AND PROVEN
DURABILITY FOR YOUR PASTURED
LAYER OPERATIONS.



AVINEST IS A COMPREHENSIVE RANGE OF FULLY AUTOMATED NESTS.

SPECIFICATION LEVELS ARE VERY HIGH FOR ALL THE NESTS IN THE AVINEST RANGE, INCLUDING:

- Variable speed controls for all egg collection belts
- Separate motors and controls for each belt allowing individual use
- Perforated AstroTurf® nest pads to allow all the dust and muck to fall away – to ensure cleaner eggs
- Nest floors which raise up at night to close the nests, keeping the hens out of the nest in order to keep the nest pads cleaner
- Individual lifting mechanism for each nest floor set, to maximise reliability
- Interior lights in every nest and on each level, with a time clock and dimmer control, to help attract the hens into the nest
- The entire nest is a very substantial construction and made to last
- The design makes all our nests very easy to clean and keeps possible insect hiding places to a minimum





AVINEST IS A STRONG AND SIMPLE NESTING SYSTEM WHICH IS DESIGNED FOR LONGER LIFE WITH YEARS OF TROUBLE FREE USE.

The standard single tier system boasts a variable speed egg belt operated by a foot switch for complete control of egg collection. To minimise potential damage to eggs, there is an infra-red light switch which will stop the belt automatically when the eggs reach the end of the belt.

Bird exclusion is achieved using automatic lifting nest floors, controlled by a time clock with a manual override facility. An extremely strong steel rack and pinion system is used to ensure complete reliability.

Automatic lighting within the nests with dimmer control is standard on all nests.

The nest floor material, normally perforated AstroTurf®, is removable to permit easy end of flock cleaning. The AstroTurf® is placed on a wire mesh floor, which means that all the muck and dust can fall through, resulting in cleaner eggs.

The egg collection system used on our two-tier nest is simple, effective and unique. Curved mini conveyors bring the eggs to one level providing a seamless and smooth transfer.

A variety of customised collection systems are available for both our own and other nest makes.

A choice of front or rear rollaway nests is available, with both of these also available in two-tier format. A number of specialised nests are available for unusual poultry house sizes, with the high capacity single tier, and the half two-tier wall stack formats being very popular.

THE AVINEST RANGE COMPRISES OF EVERY NEST CONFIGURATION YOU MIGHT WANT.

- Single tier, front roll-away (egg belts to the outside of the nest)
- Single tier, rear roll-away (egg belts in the centre of the nest)
- Two tier, front roll-away
- Two tier, rear roll-away





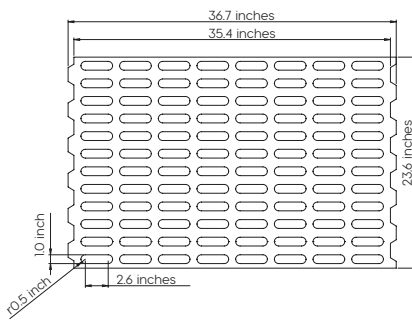
THE POTTERS POULTRY PLASTIC SLAT IS PROBABLY THE STRONGEST AND MOST STABLE AVAILABLE AND YOU WILL FEEL SAFE AND STEADY WHEN WALKING ON THEM.

We use a very simple galvanised steel and plastic structure beneath the slats for support. The legs are fully adjustable and can cope with variable floor levels.

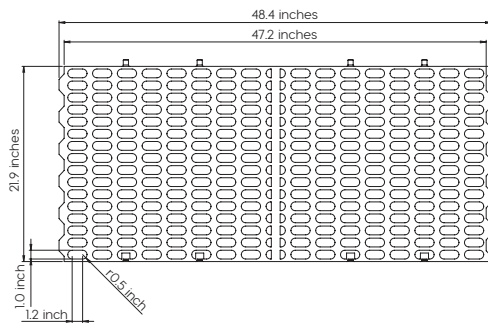
At the edge of the slats we can offer either vertical litter boards or a continuous sloping ramp. Our plastic slat is probably the strongest as well as the most stable available ensuring utmost safety at all times when walking on them; durable and long lasting.

When designing our slats we carefully considered the issue of insect infestations, which can cause serious problems for a flock if not controlled. We have completely minimised the potential hiding places for both Northern fowl & Red Mite.

TYPE 1



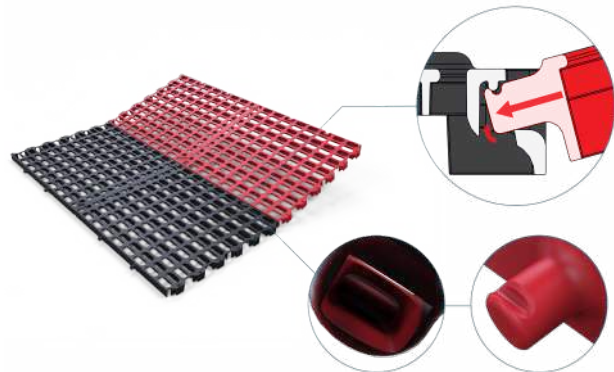
TYPE 2



INSTALLATION IS SIMPLE AND FAST

TYPE 1: Our 35.4 x 23.6" original cream slats can be interlocked and fit on only steel or fiberglass supports.

TYPE 2: Our slats measuring 47.2" x 21.9" come in either black or white, can all be interlocked or screwed into place. Fits on to both lumber & fiber/steel beam, the positioning of the screws when installing could save up to 30% on lumber.



Potters Poultry
Leigh Road,
Swift Valley,
Rugby CV21 1DS,
United Kingdom
Tel: +44 (0) 1788 536161

Potters Poultry Inc.
125 NE Venture Drive,
Suite A,
Waukee 50263
USA
Tel: 515 212 3000

info@potterspoultry.com
www.potterspoultry.com

